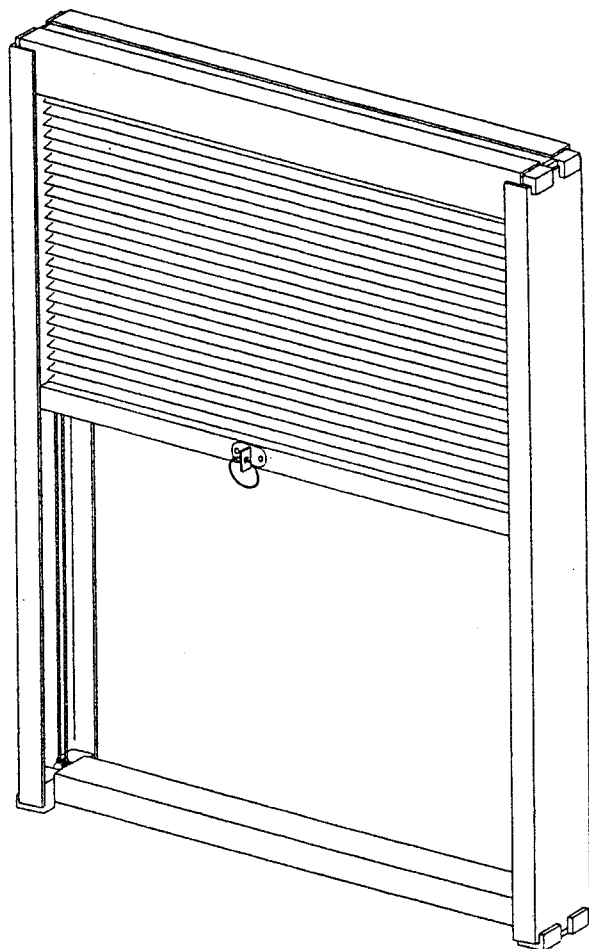


# Daylight

SPECIALTIES

## CONTENTS

	<u>Page</u>
MANUAL SHADE DIAGRAM	1
MATERIALS SUPPLIED WITH THIS ORDER	2
MATERIALS SUPPLIED BY INSTALLER	2
TOOL REQUIRED	2
ASSEMBLING SHADE	3, 4
INSIDE MOUNT INSTALLATION	5, 6, 7
CABLE TENSION ADJUSTMENT	8
MOVING RAIL LEVELING ADJUSTMENT	9
SUPPORT CORD TENSION ADJUSTMENT	9



# Manual Shade INSTALLATION

## MATERIALS SUPPLIED WITH THIS ORDER

CHECK NUMBER OF ITEMS PER SHADE FOR THE NUMBER OF MANUAL SHADES THAT YOU WILL BE INSTALLING.

Note: Outside mount and side to side mount literature obtained from fabricator upon request.

### CHECK LIST (ITEMS PER SHADE)

- INSTALLATION BRACKET  
(4) Per Shade



## MATERIALS SUPPLIED BY INSTALLER

- MOUNTING SCREWS

Self-Tapping



OR

Sheet Rock

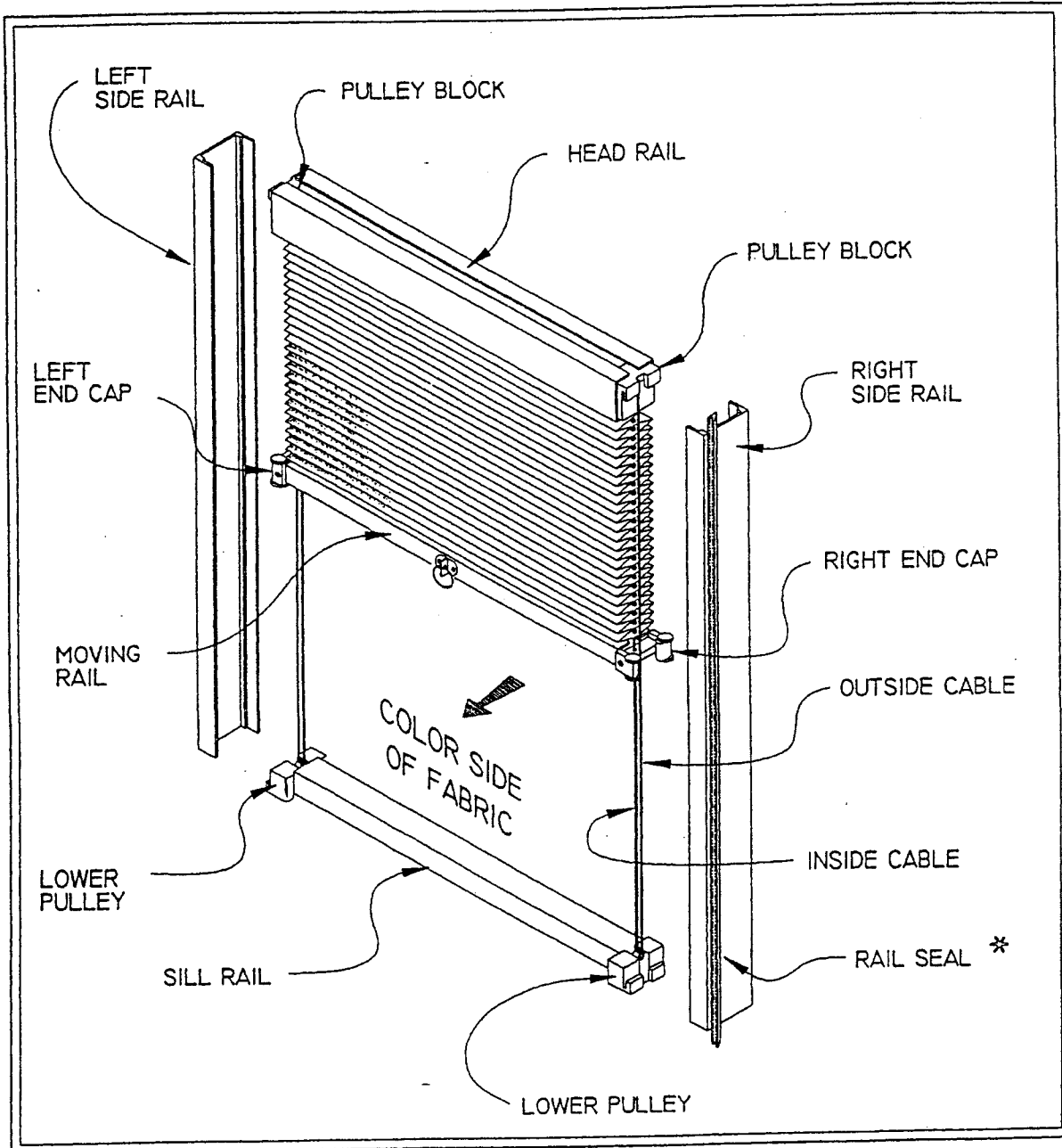


## TOOLS REQUIRED

- |  |  |
|--|--|
| <input type="checkbox"/> Variable Speed Hand Drill | <input type="checkbox"/> Mallet (any size rubber or nylon) |
| <input type="checkbox"/> Assorted Drill Bits       | <input type="checkbox"/> Small Flat Head Screw Driver      |
| <input type="checkbox"/> Phillips and Hex Driver   | <input type="checkbox"/> Tape Measure                      |

Issue Date: 12/5/95  
Product Code #LIT-101-00

# MANUAL SHADE DIAGRAM



(Drawing not to scale)

\* Rail Seal: Typical for left side rail , sill rail, and front head rail.

## “Stack Top” Version Shown

Issue Date: 12/5/95  
Product Code #LIT-101-00

# ASSEMBLING SHADE

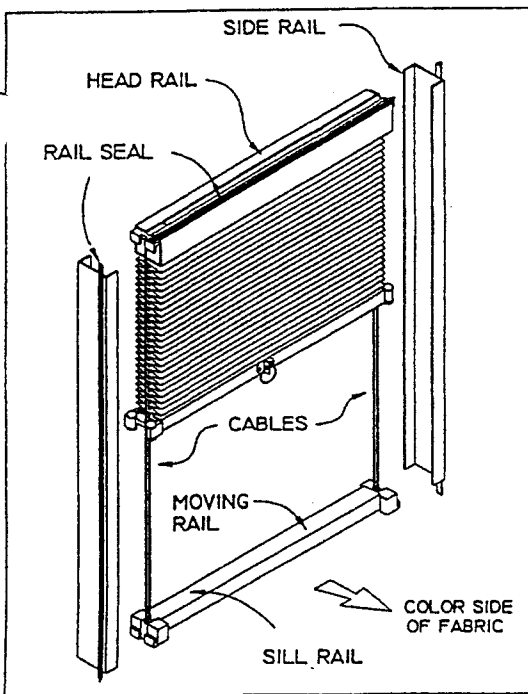
## UNPACKING SHADE

Carefully remove wrapping from around the shade. **DO NOT** cut the wrapping. This could damage the coated cable or stationary support cords.

Make sure all parts are included, see page 2, **Materials Supplied With This Order.**

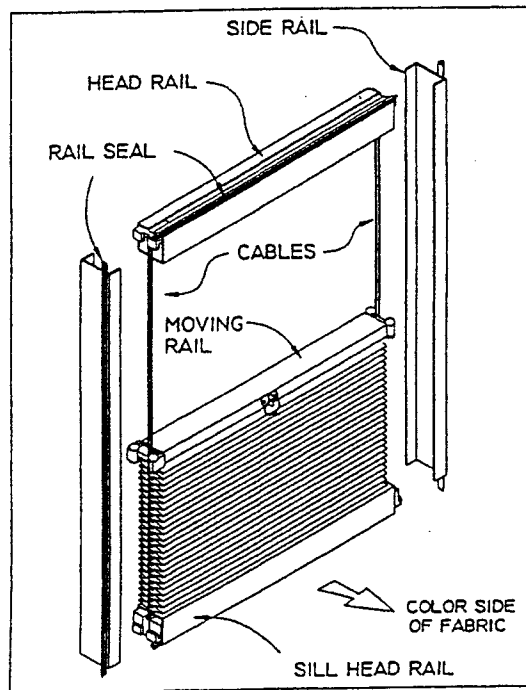
## LAY SHADE OUT ON THE FLOOR

Place shade assembly on a flat surface forming a rectangular shape (color side of fabric facing upward). Position the head rail at the top with the fabric and the moving rail just below it. Lift the sill rail to untangle the cables. Straighten out cables by placing sill rail at the opposite end of head rail with the lower pulleys facing toward the head rail. Make sure the inside and outside cables on each end of the sill rail do not cross over other (cables should be parallel to each other when extended). Lay the side rails on the left and right side of the shade. **Note:** Rail seal is pre-attached to the rails. Make sure the rail seal on the side rails aligns with the rail seal on the head rail.



### “STACK TOP “ SHOWN :

To assemble the stack top shades, arrange the components on a flat surface.



### “STACK BOTTOM “ SHOWN :

To assemble the stack bottom shades, arrange the components on a flat surface.

## ASSEMBLING SHADE (cont.)

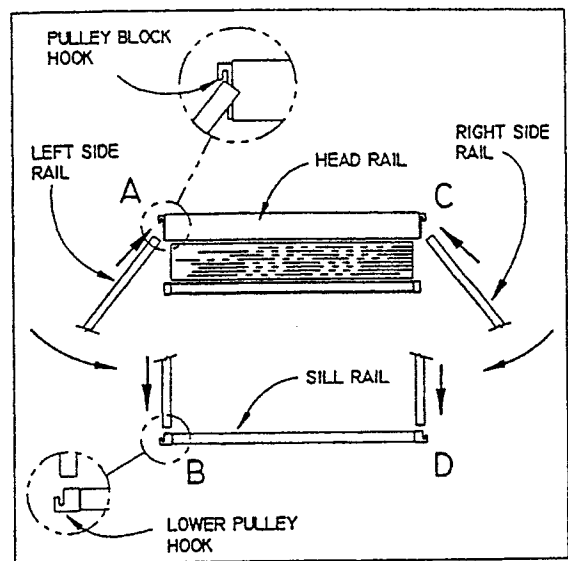
### ASSEMBLE SIDE RAILS

**A** - Insert the left side rail at an angle into the pulley block hook while swinging the bottom of the rail toward the shade. If necessary, use a mallet to seat the rail into the hook.

**B** - Fit the bottom end of the side rail into the lower pulley hook. Cable tension will increase when the sill rail is pulled down to insert rail into the hook. Again, use mallet if required.

**IMPORTANT !** Make sure the cable is not caught or twisted as the rail is seated in the hook.

**C & D** - Repeat steps A & B for the right side rail. If the rail is hard to insert at step D, then detach the left rail (at B) and try step D again.

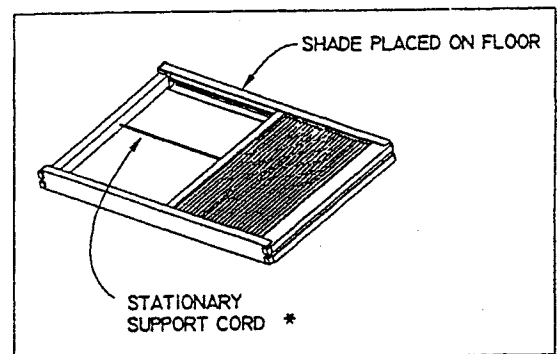


### TEST SHADE ON THE GROUND

Operate the shade in the same orientation on the floor as it will be mounted in the window. If the shade does not move freely up and down, check the following: Is the moving rail in the side tracks? Is the cable caught or twisted anywhere? **WARNING !** Lubricants of any kind should never be used.

### POSSIBLE ADJUSTMENTS

If the moving rail continues to move from a fixed position, see page 12, Cable Tension Adjustment.  
If the moving rail does not fit flush against the sill rail, see page 13, Moving Rail Leveling Adjustment.  
To adjust the tension in the stationary support cord, see page 13, Support Cord Tension Adjustment.

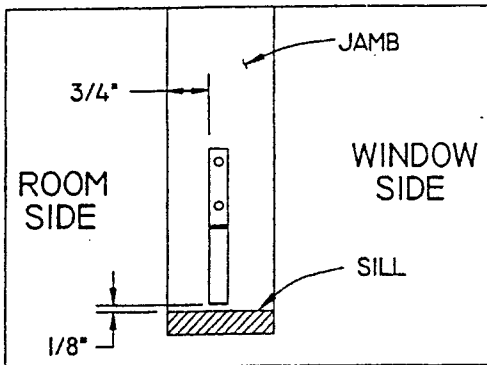


\*Note: Stationary support cords are required on shades wider than 54".

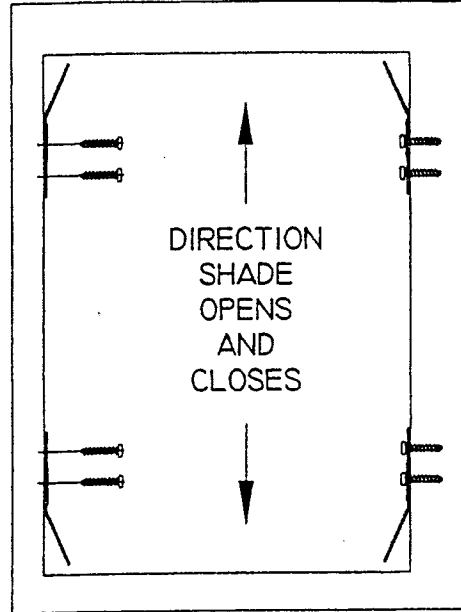
# INSIDE MOUNT INSTALLATION

## MOUNTING BRACKETS

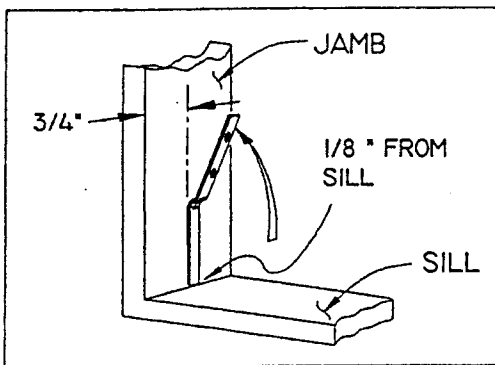
Install one mounting bracket at each corner of the window frame. Mark a line  $\frac{3}{4}$  inch in from inner edge of window frame. Place bracket edge on the line when screwing the bracket in place.



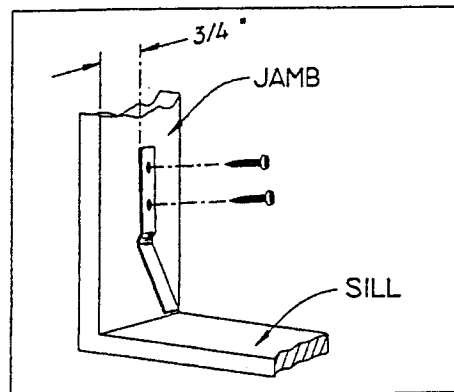
Measure in  $\frac{3}{4}$  inch from inner edge and mark a line for placement of the installation bracket.



Install one bracket at each corner as shown.



Place bracket on line as shown, with  $\frac{1}{8}$  inch between sill and end of bracket. Roll bracket over so that holes are against jamb.



With bracket rolled over, screw bracket in place.

## IMPORTANT!

Make sure the spring bracket can be pressed flat against the window jamb without hitting the sill.

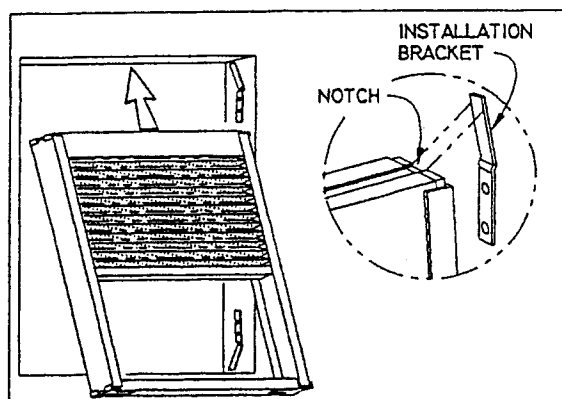
Issue Date: 12/5/95  
Product Code #LIT-101-00

## INSIDE MOUNT INSTALLATION (cont.)

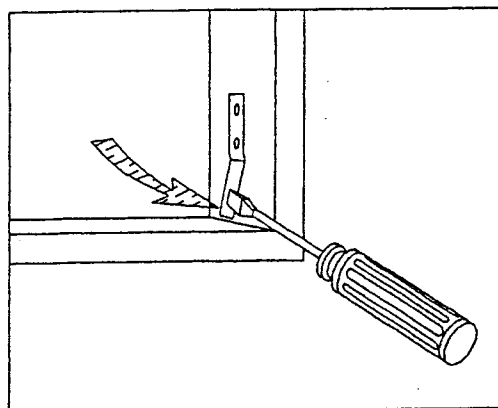
### MOUNTING SHADE ASSEMBLY INTO WINDOW FRAME

Align the installation brackets with the notches on the plastic hooks and then slip the upper portion of the shade into the window frame. Make sure that the brackets are seated within the notches.

To fit the lower end of the shade in place, slip a small screwdriver past the rail seal and push the lower installation brackets back far enough to clear the hook and snap into the notch. The rail seal will prevent light gaps around shade and also compensate for out-of-square windows frames.



Slip the upper portion of the shade into the window frame. Make sure the installation brackets fit into the notches on the plastic hooks.



To fit the lower end of the shade in place, slip a small screwdriver past the rail seal. Pry the installation bracket back far enough to allow the bracket to snap into the notch.

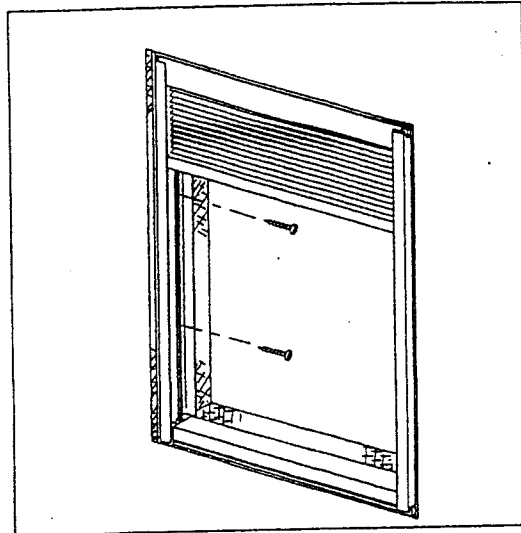
# INSIDE MOUNT INSTALLATION (cont.)

## ATTACHING SIDE RAILS TO WINDOW FRAME

Use either flat head or hex screws to attach the side rails to the window frame through the pre-drilled holes in the side rail.

**IMPORTANT !** Do not over tighten the mounting screws. Over tightening can distort the side rails. Usually only slight compression is required to mount the shade square within the window frame.

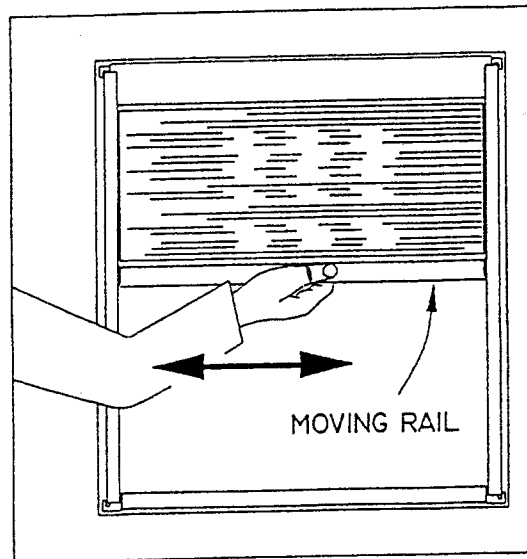
The rail seal around the perimeter of the shade should compress slightly to minimize light penetration, air infiltration and account for out of square windows.



If the shade height is greater than 48 inches, attach the side rails to the window frame using mounting screws.

## CHECKING MOVING RAIL CLEARANCE

For inside mount shades over 48 inches high, check the moving rail clearance. Move the rail back and forth by hand while running the shade up and down. If the shade binds or falls out of the side rails during operation, adjust the side rail screws in or out to solve the problem.



Check moving rail for proper fit after the mounting screws have been put into the side rails. If the mounting screws are too tight, the rail will fall out. If the screws are too loose, the rail may bind.

# CABLE TENSION ADJUSTMENT

Increase the cable tension, if the moving rail continues to slide after setting the fixed position. Decrease the cable tension if the moving rail does not slide smoothly. Position moving rail in the middle of the shade. To expose cables behind left end cap, push then lift moving rail while pulling on side rail.

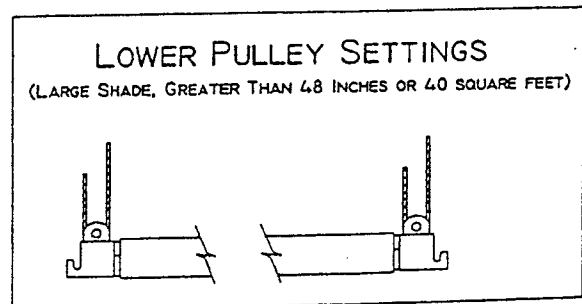
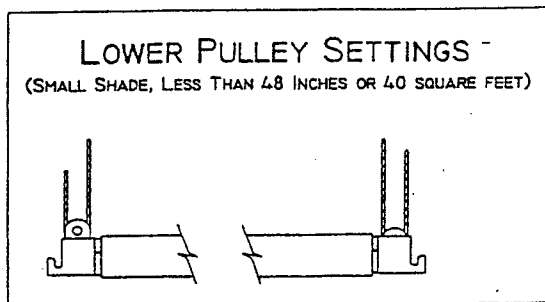
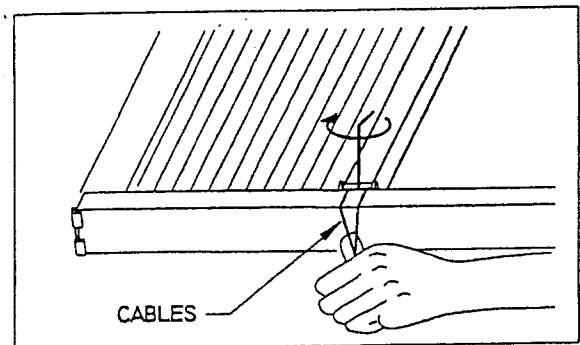
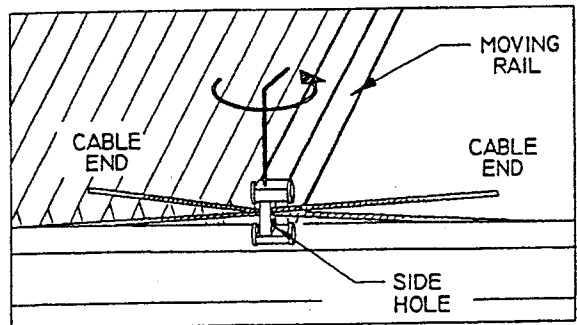
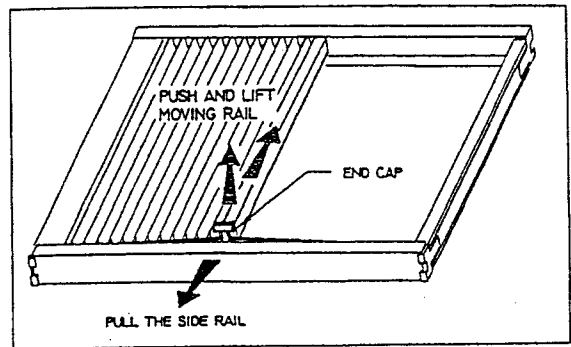
**Note:** If left end cap does not clear the side rail, disconnect the side rail from hooks.

Pull cable ends out from inside the moving rail. Pull the lower cable end out of the side hole. Loosen set screw in left end cap with 5/64" hex key. Put end cap back into side rail. Pull the cable ends in opposite directions to increase cable tension. Pulling these cables lifts the spring loaded lower pulleys. Adjust lower pulley height to the settings (as shown in diagram below) for the small or large shades.

Re-tighten the set screw while maintaining cable tension.

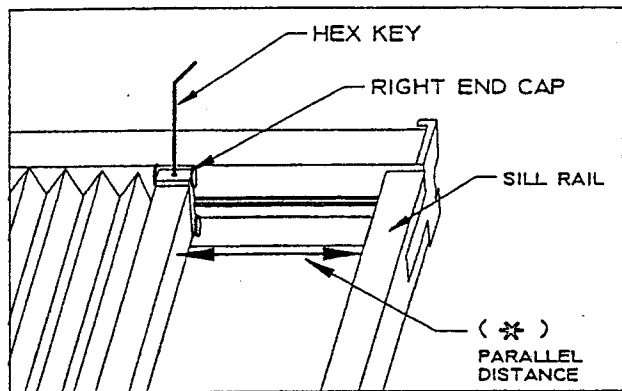
**Note:** Hold both cable ends in one hand while tightening set screw with other hand. Slip the lower cable end back up through the side hole. Put cable ends back into moving rail, underneath the fabric.

See page 13, Moving Rail Leveling Adjustment to re-level shade.



## MOVING RAIL LEVELING ADJUSTMENT

Position the moving rail approximately 4 inches from the sill rail. Loosen the set screw in the right end cap with the 5/64" hex key. Level the right side of the moving rail to match the already fixed left side with the sill rail. Make sure there is an equal distance from the sill rail to the left and right side of the moving rail. When the moving rail is level, re-tighten the set screw to secure the right end cap to the cable.



\* Position the right side of the moving rail to be level with the sill rail

## SUPPORT CORD TENSION ADJUSTMENT

**Note:** Stationary support cords are only required on shades wider than 54".

Disconnect side rails from hooks. Locate the nut and threaded brass fitting attached to the support cord within the head rail assembly. Push the support cord to extend the nut and threaded fitting out from the head rail assembly. Position the nut up or down to decrease or increase support cord tension.

**Note:** Before re-attaching side rails, make sure the threaded fitting slips through the hole in the support bracket.

