



EcoSmart 2.0 Cordless Installation Instructions

Read the instructions carefully before installing and using the shade(s).

Installation can be completed by non-professionals.

For Indoor Use Only

Tools required:

Measuring tape * Power Drill * Drill Bits * Phillips Driver Bit * Pencil* Level

Additional fasteners other than those sent with your shade may be required depending on the mounting surface. Wallboard and plaster require the use of anchors such as expansion or toggle bolts. Brick, tile or stone need special plugs and drill bits. Remember to always pre-drill holes in wood to avoid splitting. Contact your local hardware store for fasteners specific to your application.

Please do not remove the sticker from the headrail.

It provides important information that is helpful for proof of warranty

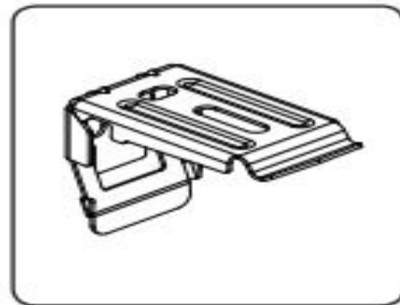
BRACKET INSTALLATION:

NOTE: SHADES OVER 50" WIDE MAY REQUIRE 2 PEOPLE FOR INSTALLATION OF SHADE TO BRACKETS. Shades are shipped with the required number of brackets for proper installation. Brackets should be located approximately 3" from either end.

Avoid placing brackets over mechanisms inside headrail for optimal performance.

Depending on the width of the shade, additional brackets may be necessary, evenly space additional brackets between the two end brackets. Using the Installation Bracket as a template, measure 3" (or best location) in from the end of the shade and mark the hole locations with a pencil for drilling.

When mounting brackets, make sure they are in line and level. Brackets must be in line and level. The head rail must be level for the shade to operate properly.



For Shade Widths	# of Brackets
Up to 35"	2
36"-65"	3
65"-95"	4
95"-119"	5
Inside Mount	2 screws/bracket
Outside Mount	2 screws/bracket

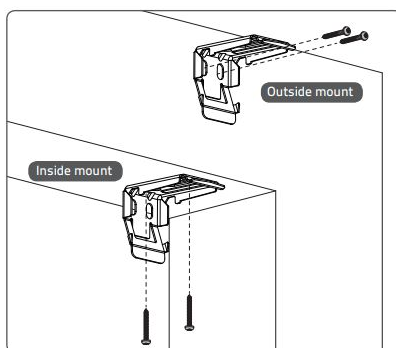


Inside or Ceiling Mounts

Use the top bracket holes

Wall or Outside Mounts

Use the rear bracket holes



Inserting the Headrail

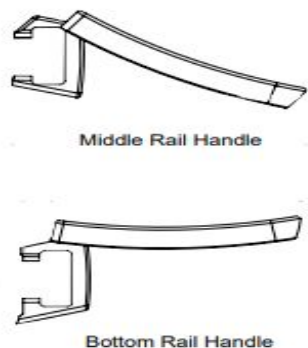


First, lower the bottom rail about an inch. This will help keep the fabric from getting caught between the brackets and the headrail. If there are more than 2 brackets, secure the middle bracket(s) first. Position the headrail with the front lip (1) resting on the top hooks of all the brackets. Make sure that no fabric is pinched between the brackets and the headrail. Push the bottom of the headrail firmly upwards and toward the window until the groove at the bottom of the headrail snaps into place, (2) as shown.



Installing your cordless shade handles:

Install your handle(s) by sliding them on to the rail in the to predetermined locations. If you have a top down/bottom up shade, there are 2 types handles as seen in the image to the right.

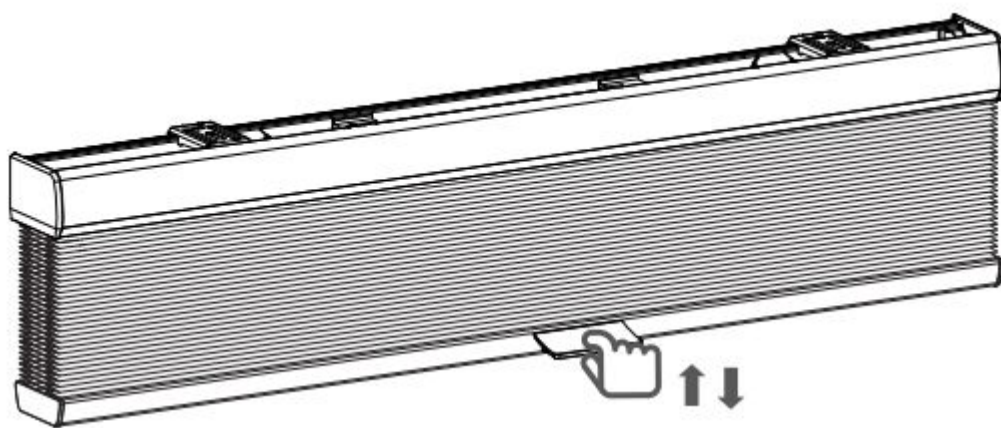


Shade Operation:

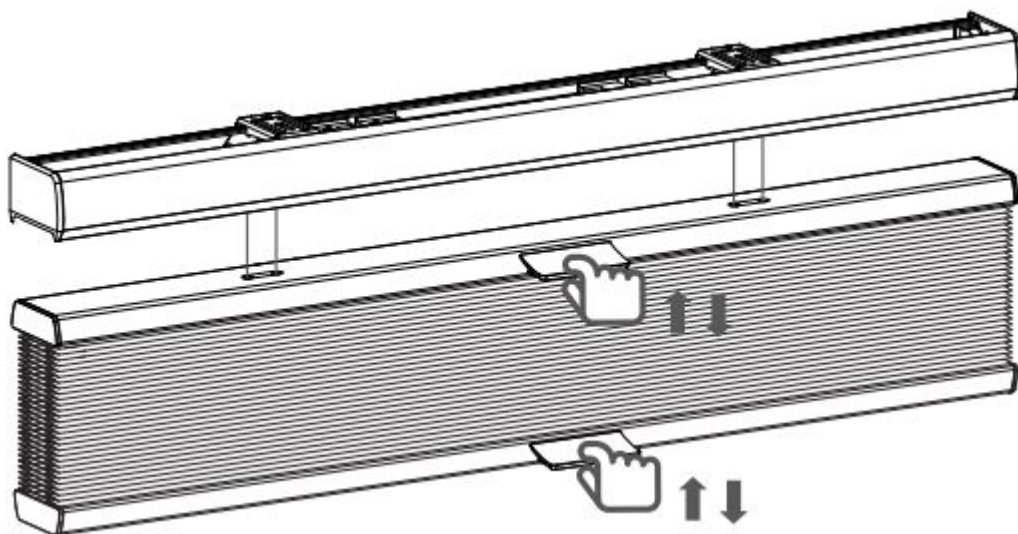
Use handles when raising and lowering shade for better support and smoother operation. To lower the shade, pull straight down on the handle which is secured to the middle or bottom rail. To raise the shade, push the middle and/or bottom rail up. The shade will hold at any position when the middle or bottom rail is released. Be sure to raise the shade slowly and steadily to allow the shade enough time to stack evenly.

Operating the shade too quickly may result in billowing of the fabric and in extreme cases, misalignment of the strings in the headrail.

Bottom Up:



Top Down/Bottom Up

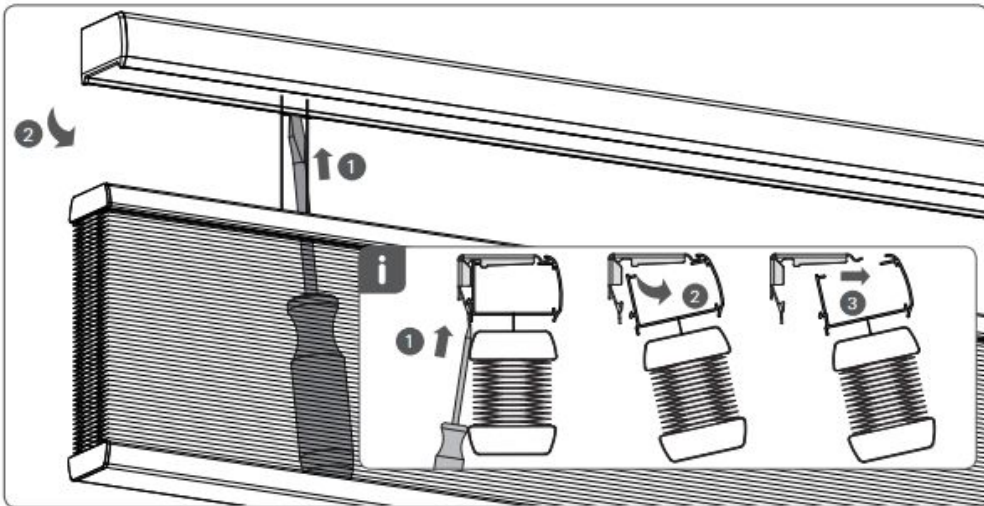


Removing the Shade from the Headrail

To remove a shade, insert a screwdriver between the headrail and the bottom back of the bracket.

Gently pry the screwdriver to release the bracket from the headrail. Take care not to damage the painted finish of the headrail and the fabric.

As you release the brackets, hold the headrail to keep it from falling.



WARNING

- Young children can strangle in the loop of pull cords, chains and tapes, and cords that operate window coverings.
- To avoid strangulation and entanglement, keep cords out of the reach of young children. Cords may become wrapped around a child's neck.
- Move beds, cots and furniture away from window covering cords.
- Do not tie cords together. Make sure cords do not twist together and form a loop.



Trouble Shooting

Problem: The shade will not stay down.

Cause: Because the shade was fabricated primarily in the closed position, the fabric may want to spring up.

Repair: For a light filtering shade, with clean hands, gently pull down on a section of cells to relax the pleats. Repeat with another section of cells until the fabric is sufficiently relaxed. For a room darkening shade, avoid wrinkling the front of the fabric by grabbing shade at the sides and stretching downward. Do not fully raise the shade for 24 hours.

Cleaning & Care

IMPORTANT: Do not immerse headrail or blackout fabric in water.

- To clean surface-level dust and dirt, lift it away by gently sweeping it across the fabric with a duster or vacuum it gently with the soft brush attachment.
- If any debris is trapped inside the fabric cells, blow it out with compressed air or with a hairdryer on a slow speed and cold mode.
- To clean away stains, you can try to blot the stain with a lint-free cloth, warm water, and mild dish soap. Avoid scrubbing the fabric, as it may cause the fabric to pill. Using another cloth, blot the fabric dry to prevent water rings.
- Be sure not to submerge your cellular shades/ fabrics in water or over wet them, as they may fade and lose their shape.

