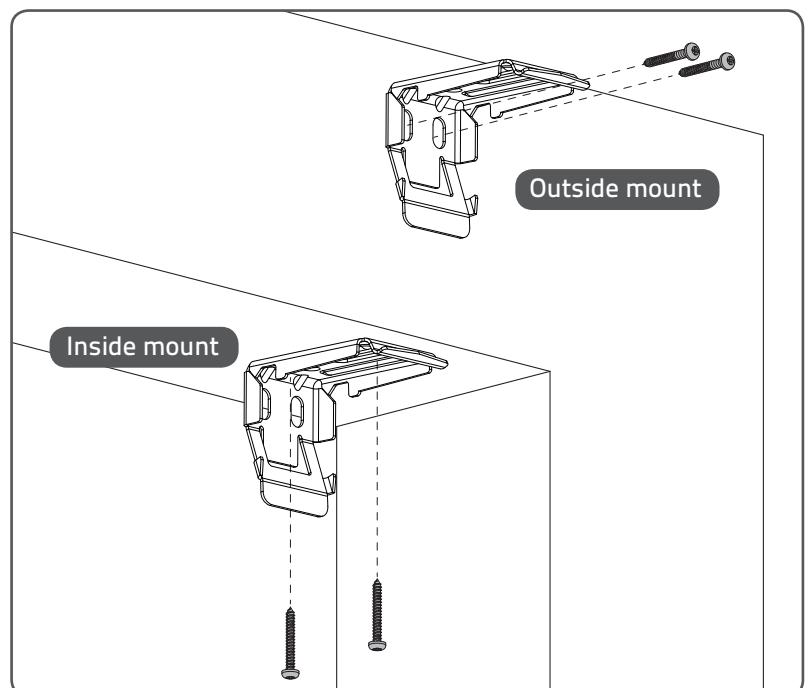
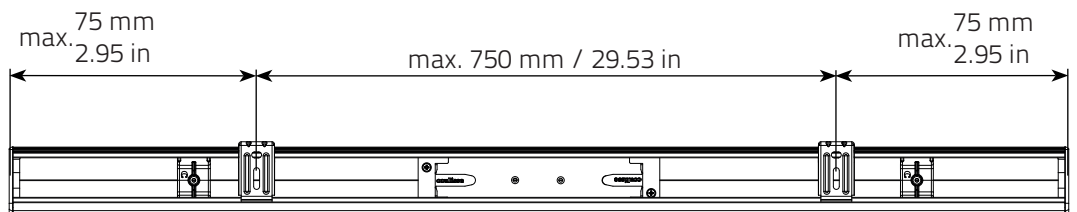
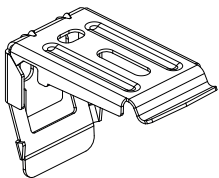
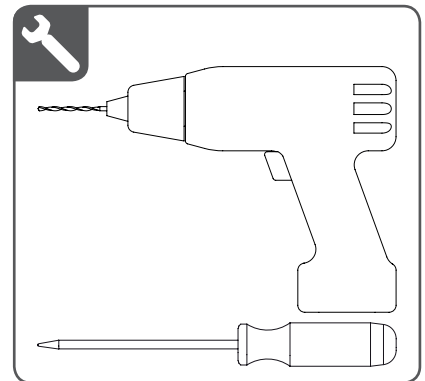
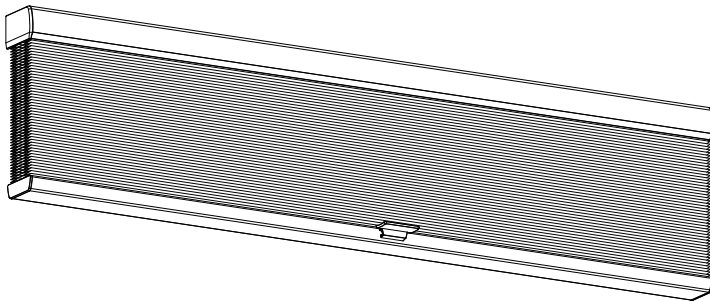
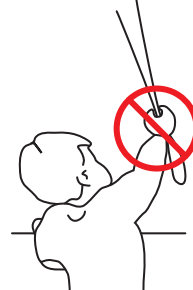


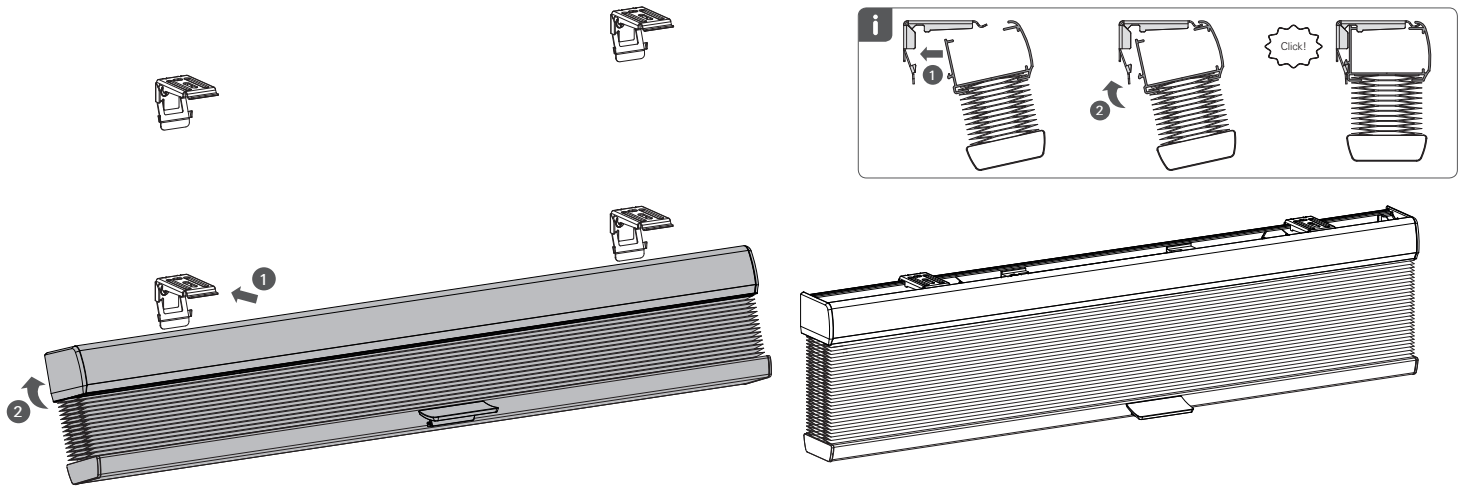
Installation EcoSmart 2.0 Cordless Bottom Up

Read the instructions carefully before assembling and using the product.
Assembling process can be completed by non-professionals. For indoor use only.

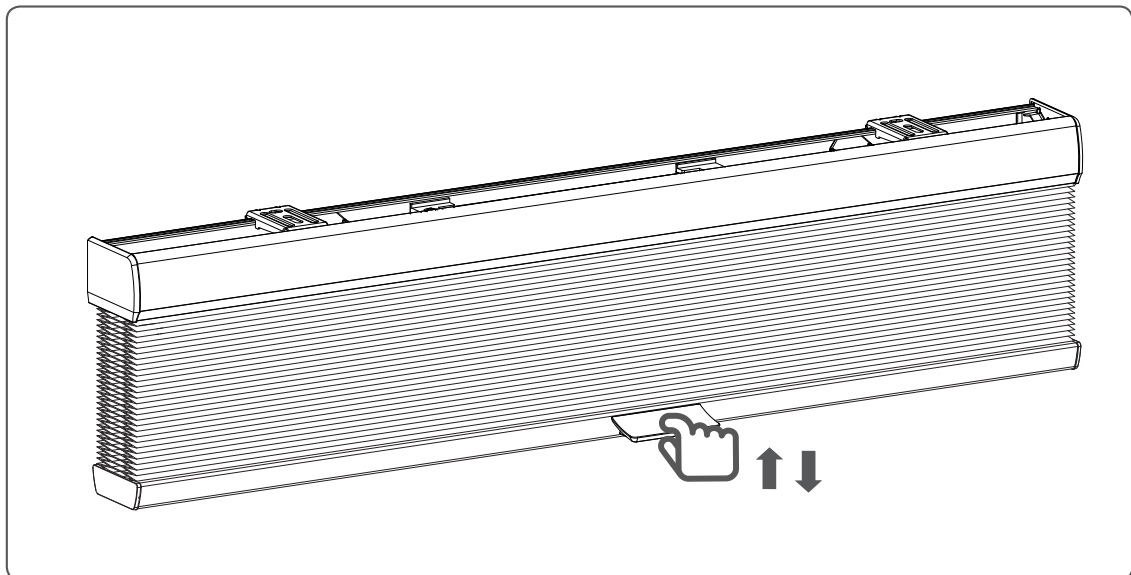
WARNING

- Young children can strangle in the loop of pull cords, chains and tapes, and cords that operate window coverings.
 - To avoid strangulation and entanglement, keep cords out of the reach of young children. Cords may become wrapped around a child's neck
 - Move beds, cots and furniture away from window covering cords.
 - Do not tie cords together.
- Make sure cords do not twist together and form a loop.





Operate



Removal

